



The affordable LED GUS is designed to deliver general ambient lighting for surface-mount ceiling/wall or pendant mount applications. Diffusion lens delivers improved visual performance and a more refined look. Replaces traditional 4' linear fluorescent wraparound fixtures.

Color: White

Weight: 8.3 lbs

**Project:**

**Type:**

**Prepared By:**

**Date:**

### Driver Info

|             |                  |
|-------------|------------------|
| Type        | Constant Current |
| 120V        | 0.30A            |
| 208V        | 0.18A            |
| 240V        | 0.15A            |
| 277V        | 0.13A            |
| Input Watts | 35.7W            |

### LED Info

|                |            |
|----------------|------------|
| Watts          | 36W        |
| Color Temp     | N/A        |
| Color Accuracy | N/A        |
| L70 Lifespan   | N/A        |
| Lumens         | 4,672 lm   |
| Efficacy       | 130.9 lm/W |

## Technical Specifications

### Compliance

**UL Listed:**

Suitable for damp locations

**DLC Listed:**

This product is on the Design Lights Consortium (DLC) Qualified Products List and is eligible for rebates from DLC Member Utilities. Designed to meet DLC 5.1 requirements.

DLC Product Code: PWJ8PHRN

### Performance

**Lifespan:**

100,000-Hour LED lifespan based on IES LM-80 results and TM-21 calculations

### LED Characteristics

**Color Stability:**

LED Color temperature is warrantied to shift no more than 200K in color temperature over a 5-year period

**Color Uniformity:**

RAB's range of Correlated Color Temperature follows the guidelines of the American National Standard for Specifications for the Chromaticity of Solid State Lighting (SSL) Products, ANSI C78.377-2017.

### Electrical

**Driver:**

Constant current, Class 2, 120-277V, 50/60 Hz, 120V: 0.30A, 208V: 0.18A, 240V: 0.15A, 277V: 0.13A, 2kV surge protection

**Dimming Driver:**

Driver includes dimming control wiring for 0-10V dimming systems. Requires separate 0-10V DC dimming circuit. Dims down to 10%.

**THD:**

4.29% at 120V, 3.46% at 277V

**Power Factor:**

99.6% at 120V, 95.8% at 277V

**Minimum Starting Temperature:**

0° to 40°C

### Construction

**Housing:**

Die-formed 22 gauge, cold-rolled, post-painted steel. Post painting improves durability of the finish and eliminates the sharp edges making handling and installation safer.

**Mounting:**

Surface mount. Can be mounted with chains or v-hooks by others.

**Lens:**

Acrylic lens with diffusion for enhanced optical performance

**Reflector:**

Aluminum with high-reflectance (91%) powder coat applied post production for a more durable finish

**Finish:**

Formulated for high durability and long-lasting color

**Green Technology:**

Mercury and UV free. RoHS-compliant components.

### Sensor Specifications

**Multi Level Motion Sensor:**

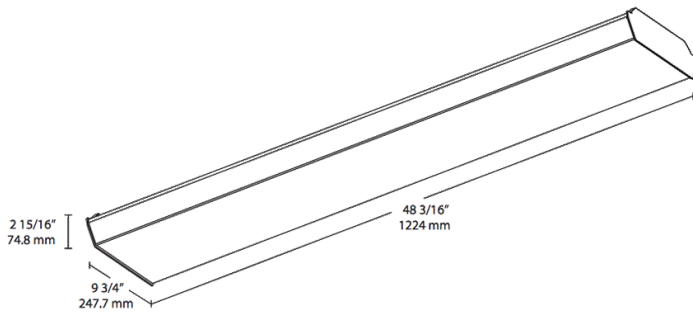
\*48 ft diameter maximum coverage from 8 ft height.

### Other

**Buy American Act Compliance:**

RAB values USA manufacturing! Upon request, RAB may be able to manufacture this product to be compliant with the Buy American Act (BAA). Please contact customer service to request a quote for the product to be made BAA compliant.

## Dimensions



## Features

- Energy-efficient, maintenance-free LED wrap fixture
- Multiple mounting options: surface, pendant or chain
- High-reflectance white finish for optimal output
- Diffusion wrap-around lens for smooth light distribution
- 0-10V dimming, standard
- 100,000-Hour LED lifespan

## Ordering Matrix

| Family | Size                 | Wattage                                                                  | Color Temp                                                                           | Finish    | Voltage/Driver                 |
|--------|----------------------|--------------------------------------------------------------------------|--------------------------------------------------------------------------------------|-----------|--------------------------------|
| GUS    | 4                    | 36                                                                       | N                                                                                    | W         | /D10                           |
|        | 2 = 2 ft<br>4 = 4 ft | 18 = 18W (2 ft)<br>25 = 25W (2 ft)<br>36 = 36W (4 ft)<br>50 = 50W (4 ft) | Y = 3000K Warm<br>YN = 3500K Warm Neutral<br>N = 4000K Neutral<br>Blank = 5000K Cool | W = White | /D10 = 120-277V, 0-10V Dimming |